



PRESSURE WASHER BREAKDOWN

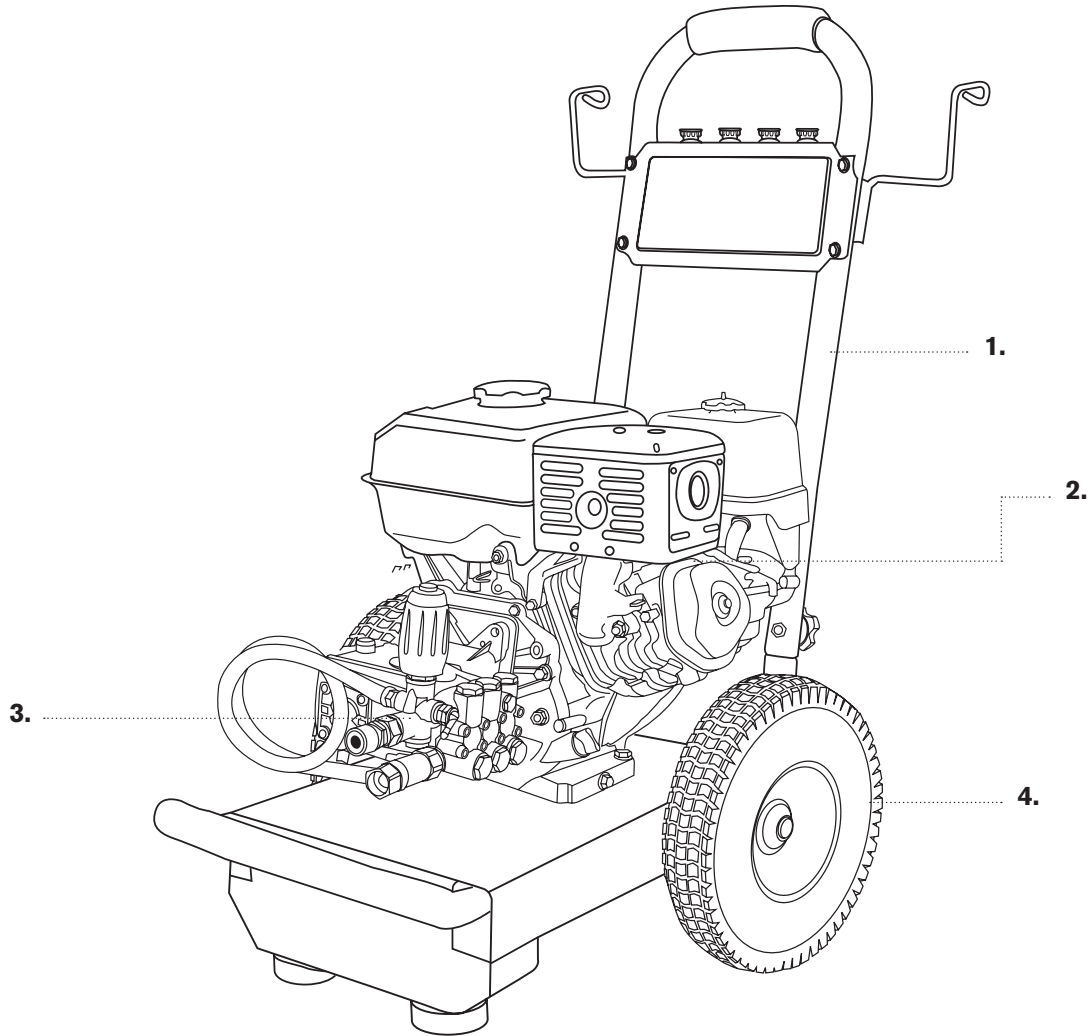
B4013HCS



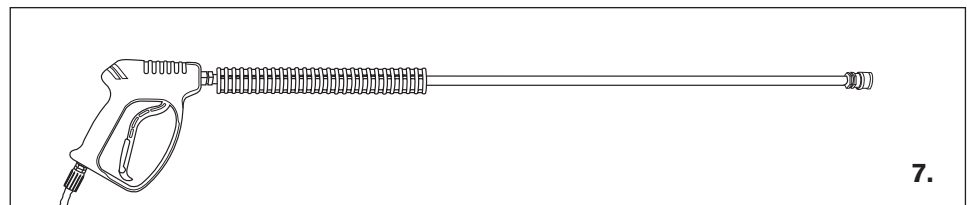
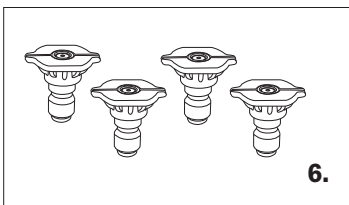
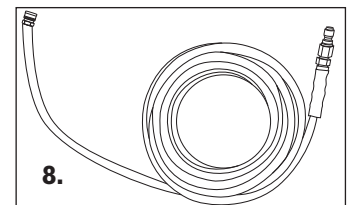
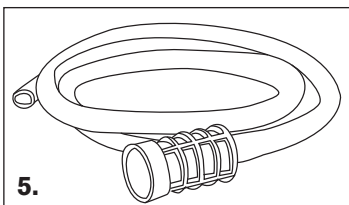


PRESSURE WASHER BREAKDOWN

B4013HCS



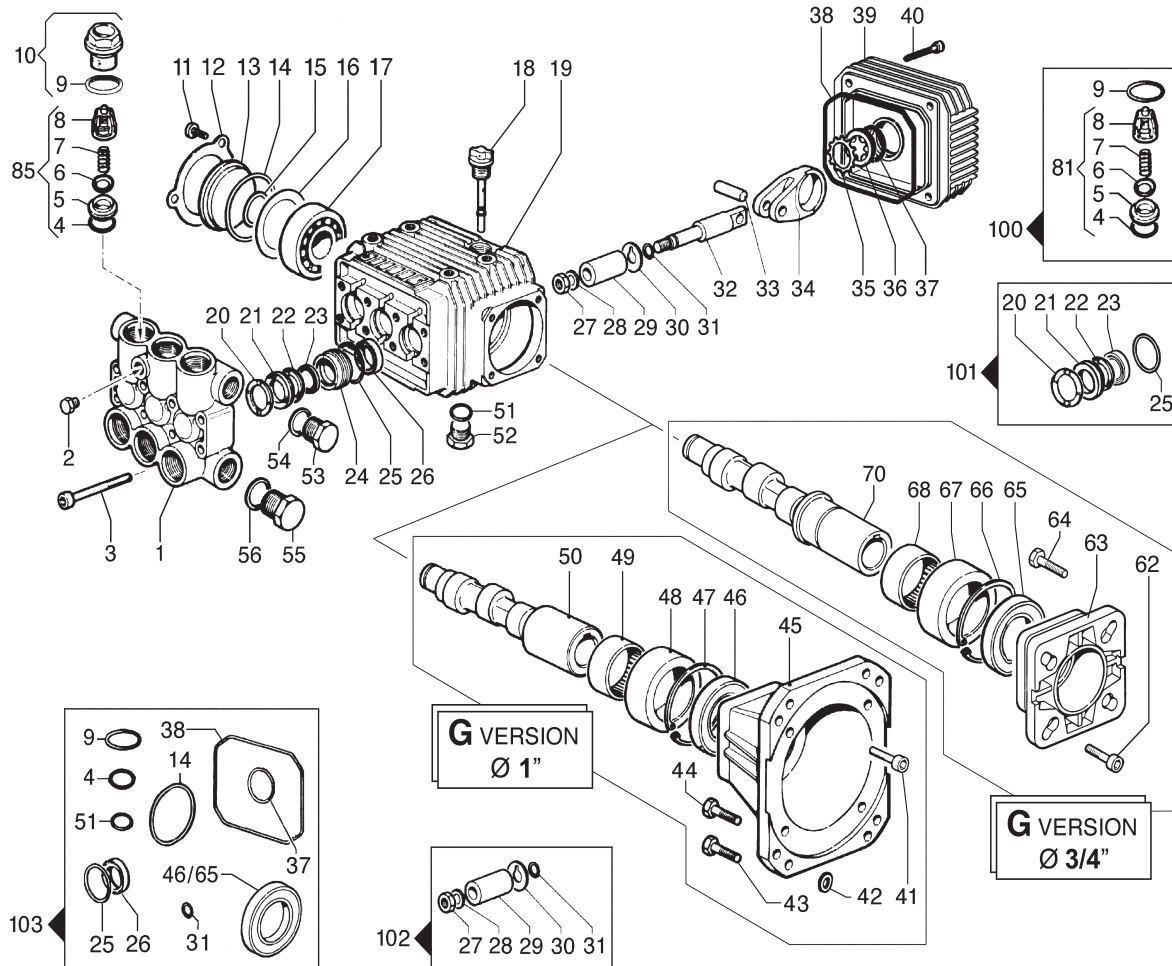
REF #	DESCRIPTION	PART #
1	Frame	85.600.125
2	Engine - Honda GX390	Not For Resale
3	Pump - ZWD4040G	85.149.022B
4	Wheels	85.660.050B
5	Soap Hose	85.400.005
6	Nozzle Set	85.210.035
7	Gun & Wand	85.205.026
8	Hose 50' x 3/8"	85.228.153





PRESSURE WASHER BREAKDOWN

B4013HCS



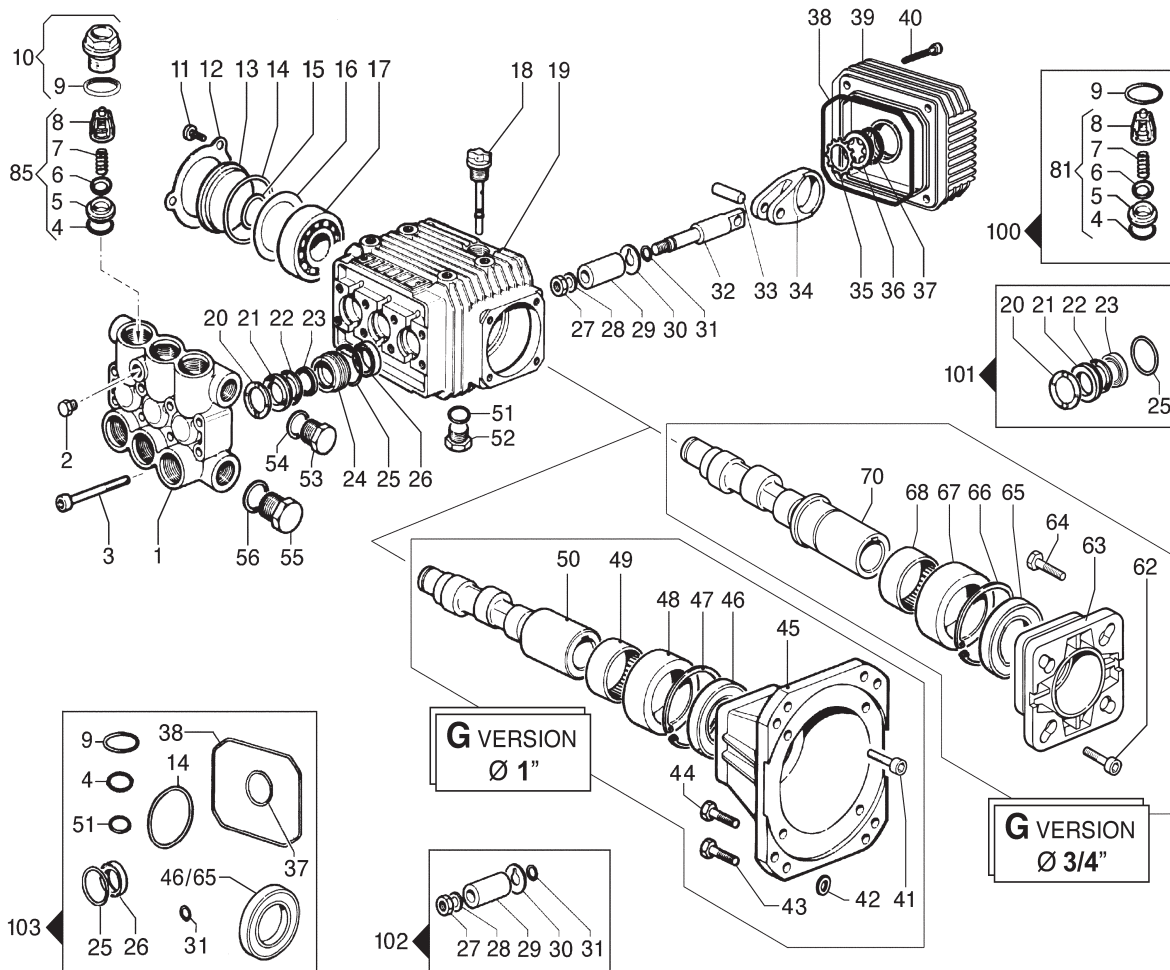
N°	Cod.	Descrizione	Description	Note	Qty	Model
1	3218 0323	Testata Pompa Ottone	Brass Pump Manifold	Ø15	1	2530 G - 2535 G 3030 G - 3035 G 3530 G - 3535 G 4030 G - 4035 G
	3218 0324	Testata Pompa Ottone	Brass Pump Manifold	Ø15 - 4000 psi	1	3040 G - 3540 G 4040 G
2	3202 0018	Tappo	Plug	G1/8"	1	
3	3609 0014	Vite	Screw	M8x55	8	
4	1210 0046	Guarnizione OR	O-Ring	2,62x17,13	6	
5	3009 0087	Sede Valv. Aspir./Mand.	Suct./Del. Valve Seat		6	
6	3604 0017	Valvola Aspir./Mand.	Suct./Del. Valve		6	
7	1802 0177	Molla	Spring		6	
8	1205 0025	Gabbia Valv. Asp./Mand.	Suct./Del. Valve Cage		6	
9	1210 0048	Guarnizione OR	O-Ring	2,62x20,24	6	
10	3202 0312	Tappo + O-Ring	Plug + O-Ring		6	2530 G - 2535 G 3030 G - 3035 G 3530 G - 3535 G 4030 G - 4035 G
	3202 0315	Tappo + O-Ring	Plug + O-Ring	276 Bar - 4000 psi	6	3040 G - 3540 G 4040 G
11	3609 0088	Vite	Screw	M5x10	3	
12	1004 0012	Flangia Tenuta	Crankcase Flange		1	
13	0402 0329	Coperchio Alluminio	Aluminum Cover		1	
14	1210 0386	Guarnizione OR	O-Ring	3,53x44,04	1	
15	3019 0011	Seeger Esterno	Outer Seeger		1	
16	0009 0275	Distanziale	Spacer	41x51,8x0,5	1	

N°	Cod.	Descrizione	Description	Note	Qty	Model
17	0438 0069	Cuscinetto a Sfere	Ball Bearing	20x52x15	1	
18	3200 0051	Asta Livello Olio	Oil Dipstick		1	
19	0403 0141	Carter Pompa	Pump Crankcase		1	
20	0009 0196	Anello Pressione	Packing Head Ring	Ø15	3	
21	1241 0065	Guarnizione Tenuta	Packing	Ø15	3	
22	0009 0223	Anello Posteriore	Back Ring	Ø15	3	
23	1241 0030	Guarnizione Tenuta	Packing	15x22x5,5	3	
24	0009 0222	Anello Portaguarniz.	Packing Retainer	Ø15	3	
25	1210 0223	Guarnizione OR	O-Ring	1,78x26,7	3	
26	0019 0095	Anello Tenuta	Oil Seal	15x24x5	3	
27	0600 0048	Dado Speciale	Special Bolt		3	
28	2811 0080	Rondella	Washer	8,2x14x1,5	3	
29	0202 0020	Bussola Ceramica	Ceramic Bushing	Ø15	3	
30	2812 0038	Rondella	Washer		3	
31	1210 0055	Guarnizione OR	O-Ring	1,78x6,07	3	
32	2409 0044	Pistone Guida	Piston Guides		3	
33	3011 0014	Spinotto	Gudgeon Pin		3	
34	0205 0050	Kit Biella	Con. Rod Assembly		3	
35	3019 0033	Seeger Esterno	Outer Seeger	Ø28 o Ø18?	1	
36	3201 0026	Spia Livello Olio	Oil Indicator		1	
37	1210 0333	Guarnizione OR	O-Ring	1,78x23,52	1	
38	1210 0621	Guarnizione OR	O-Ring	3,0x94	1	
39	0402 0220	Coperchio	Cover		1	
40	3609 0180	Vite	Screw	M6x55	4	
41	3609 0032	Vite	Screw	M6x20	4	
42	2811 0098	Rondella	Washer	10,5x18x2	4	



PRESSURE WASHER BREAKDOWN

B4013HCS



N°	Cod.	Descrizione	Description	Note	Q.ty	Model
43	3607 0119	Vite Testa Esagono	Hexagonal Screw	5/16"24 UNFx1"	4	
44	3607 0168	Vite Testa Esagono	Hexagonal Screw	3/8"16 UNCx1"	4	
45	3016 0023	Flangia	Flange	1"	1	
46	0019 0102	Anello Tenuta Olio	Oil Seal	40x62x7	1	
47	3020 0012	Seeger Interno	Inner Seeger		1	
48	0204 0038	Bussola	Bushing		1	
49	0437 0045	Cuscinetto	Bearing	40x47x16	1	
50	0001 0448	Albero Eccentrico	Eccentric Shaft	1"	1	3030 G - 3035 G 3040 G
	0001 0386	Albero Eccentrico	Eccentric Shaft	1"	1	3530 G - 3535 G 3540 G
	0001 0449	Albero Eccentrico	Eccentric Shaft	1"	1	4030 G - 4035 G 4040 G
51	1210 0441	Guarnizione OR	O-Ring	2x14	1	
52	3200 0007	Tappo	Cap	3/8 GAS	1	
53	3200 0007	Tappo	Cap	3/8 GAS	1	
54	2811 0084	Rondella	Washer	16,7x22x1,5	1	
55	3202 0015	Tappo	Cap	G1/2" OT	1	
56	2811 0086	Rondella	Washer	21,2x27x1,5	1	

N°	Cod.	Descrizione	Description	Note	Q.ty	Model
62	3609 0032	Vite	Screw	M6x20	4	
63	3016 0012	Flangia	Flange	SAE J 609 A	1	
64	3607 0199	Vite Testa Esagonale	Hexagonal Screw	5/16"24 UNFx1"	4	
65	0019 0102	Anello Tenuta Olio	Oil Seal	40x62x7	1	
66	3020 0012	Seeger Interno	Inner Seeger		1	
67	0204 0038	Bussola	Bushing		1	
68	0437 0045	Cuscinetto	Bearing	40x47x16	1	
70	0001 0399	Albero Femmina	Hollow Shaft	Ø 3/4"	1	2530 G - 2535 G
70	0001 0561	Albero Femmina	Hollow Shaft	Ø 3/4"	1	3035 G
85	1220 0030	Gruppo Valv. Asp./Mand.	Suct./Del. Valve Ass.y kit		6	

Kit Ricambi

Spare Parts Kit

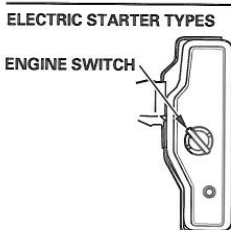
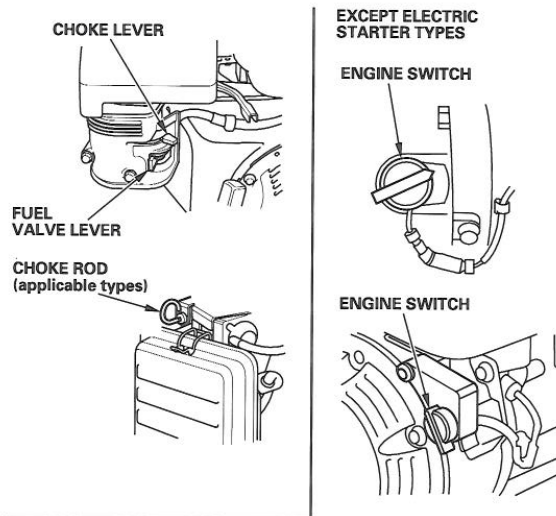
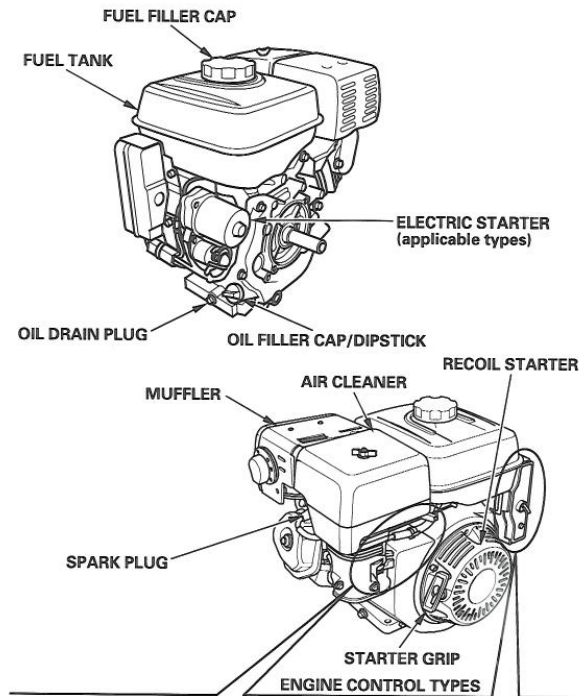
N°	Cod.	Descrizione	Description	Q.ty	Model
100	5025 0011	Kit Valvole	Valve Kit	1	
101	5019 0064	Kit Guarnizioni Acqua	Water Seal Kit	1	
102	2409 0071	Kit Pistone	Piston Kit	Ø15	
103	5019 0065	Kit Guarnizioni Olio	Oil Seal Kit	1	



PRESSURE WASHER BREAKDOWN

B4013HCS

COMPONENT & CONTROL LOCATIONS



FEATURES

OIL ALERT® SYSTEM (applicable types)

"Oil Alert is a registered trademark in the United States"

The Oil Alert system is designed to prevent engine damage caused by an insufficient amount of oil in the crankcase. Before the oil level in the crankcase can fall below a safe limit, the Oil Alert system will automatically stop the engine (the engine switch will remain in the ON position).

If the engine stops and will not restart, check the engine oil level (see page 9) before troubleshooting in other areas.

CIRCUIT PROTECTOR (applicable types)

The circuit protector protects the battery charging circuit. A short circuit, or a battery connected with reverse polarity, will trip the circuit protector.

The green indicator inside the circuit protector will pop out to show that the circuit protector has switched off. If this occurs, determine the cause of the problem, and correct it before resetting the circuit protector.

Push the circuit protector button to reset.

